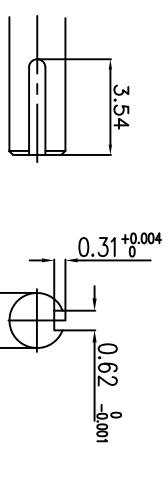
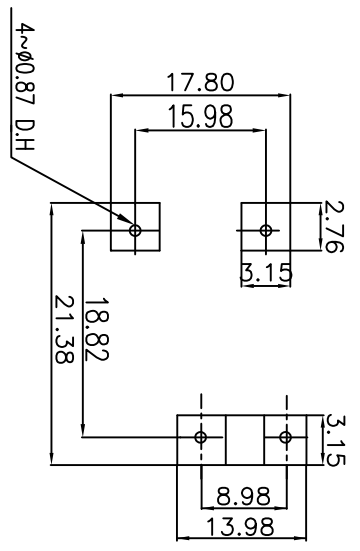
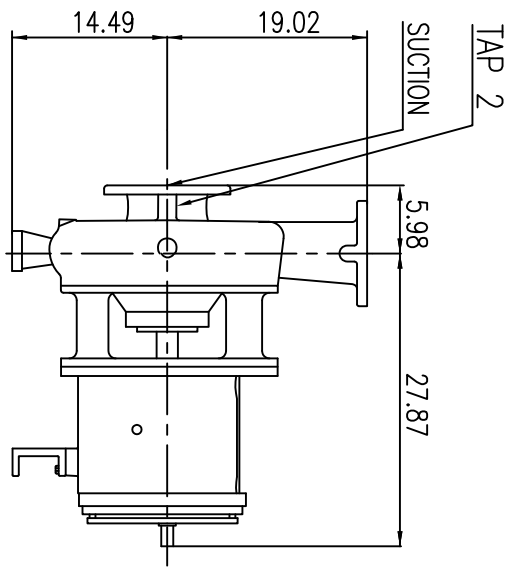
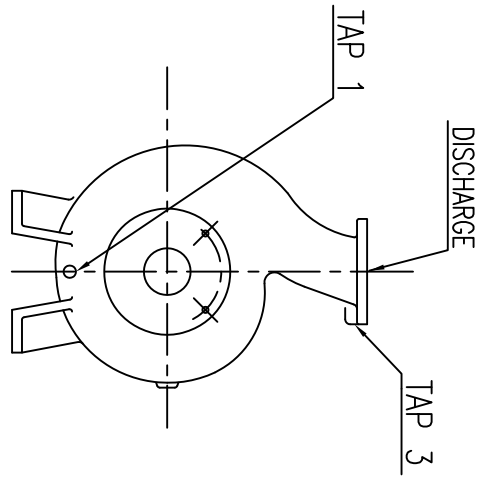


107L1801-DVD

MODEL : DAP 10x8-17



NOZZLE	
SUCTION 10"	DISCHARGE 8"
ANSI #150 R.F	ANSI #150 R.F

SPECIFICATION

CAPACITY	-	GPM
HEAD	-	ft
WEIGHTS(lbs)		
PUMP	740.8	
TOTAL	740.8	

NOZZLE LOADINGS

	Suction	Discharge
lbs Fx	381.4	218.3
lbs Fy	765.0	840.0
lbs Fz	892.9	522.5
ft-lbs Mx	1620.2	1142.8
ft-lbs My	998.2	672.7
ft-lbs Mz	976.5	701.6

JEON	MIN	MIN	MIN	REV.
-	-	-	-	0
DWN	DSND	CHKD	APPD	
SCALE N/S				
GROUP NO.				
REF NO.				
PUMP OUTLINE DRAWING				
ITEM NO. (- PUMP)				
DAP-10817L01				
DESCRIPTION				
QTY				
DWG NO.				

TRUFLO A NEW VISION FOR QUALITY PUMPS