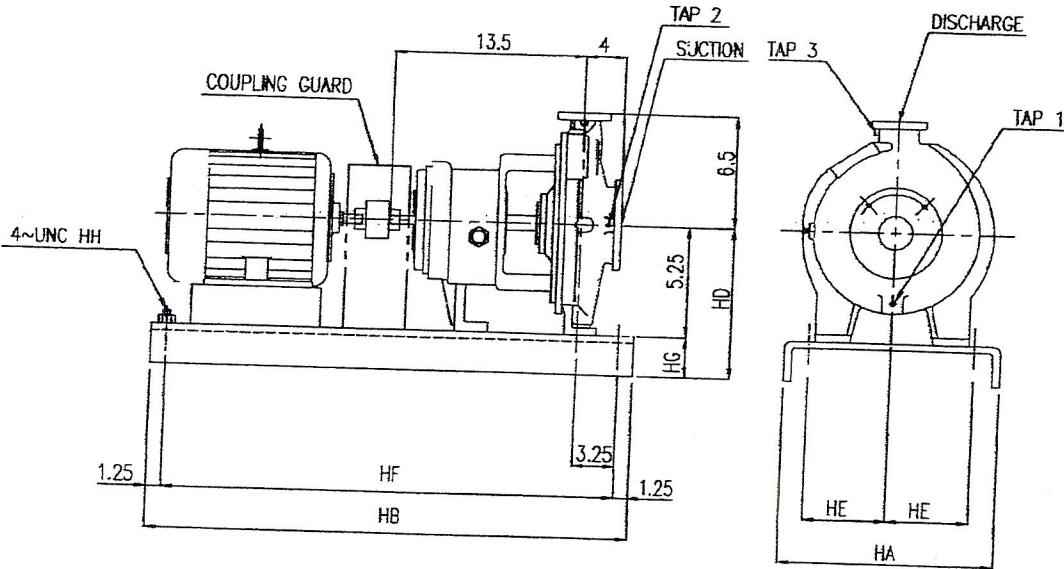




DAP PUMP OUTLINE DWG.

CUSTOMER				JOB. NO			
PO. NO				PROJECT			
ITEM NO				SERVICE			
PUMP SIZE		DAP G-1 3x1.5-8					
FLANGE TYPE		<input type="checkbox"/> FF <input type="checkbox"/> RF <input type="checkbox"/> #150 <input type="checkbox"/> #300		SUCTION		3	
DISCHARGE				API-PLAN			
TAP 1		TAP 2		TAP 3			
POWER				BASE NO		TOTAL WEIGHT	
						Lbs	



BASE NO.	MOTOR FRAME	HA	HB	HE	HF	HD	HG	HH	REMARK
139	143T	15	39	4.5	36.5	9	3.75	3/4	
	145T								
	182T								
	184T								
148	213T	18	48	6	45.5	9.25	4	3/4	
	215T								
	254T					10.25	4		
	256T								

*Dimensions can be changed by construction

REVISED 7/28/03