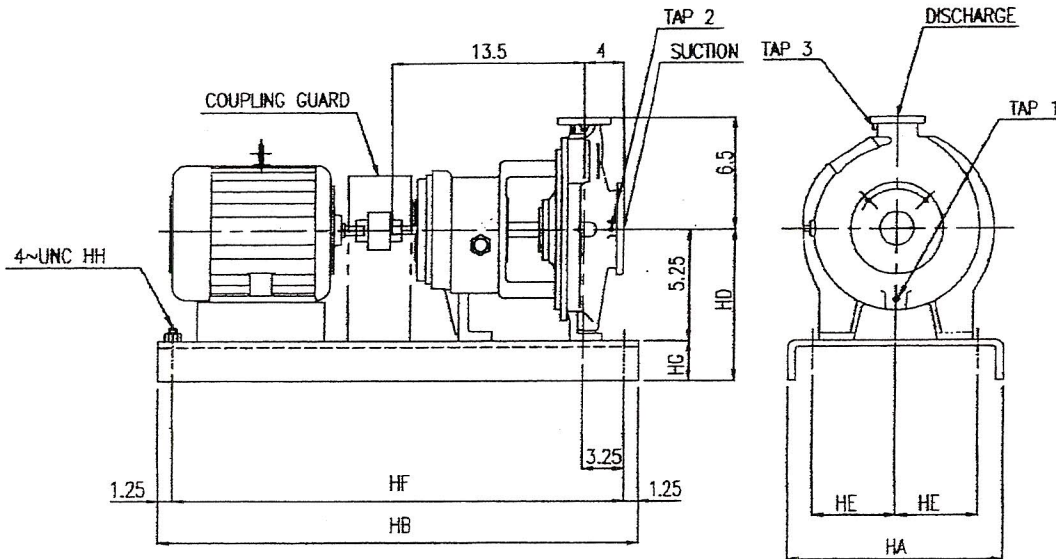




DAP PUMP OUTLINE DWG.

CUSTOMER				JOB. NO				
PO. NO				PROJECT				
ITEM NO				SERVICE				
PUMP SIZE	DAP G-1 3x2-6							
FLANGE TYPE	<input type="checkbox"/> FF	<input type="checkbox"/> RF	<input type="checkbox"/> #150	<input type="checkbox"/> #300	SUCTION	3	DISCHARGE	2
TAP 1	TAP 2	TAP 3	API-PLAN					
POWER	BASE NO			TOTAL WEIGHT			Lbs	



BASE NO.	MOTOR FRAME	HA	HB	HE	HF	HD	HG	HH	REMARK
139	143T	15	39	4.5	36.5	9	3.75	3/4	
	145T								
	182T								
	184T								
148	213T	18	48	6	45.5	9.25	4	3/4	
	215T								
	254T					10.25	4		
	256T								

*These are not certified drawings, dimensions are not to be used for construction,

REVISED 7/28/03