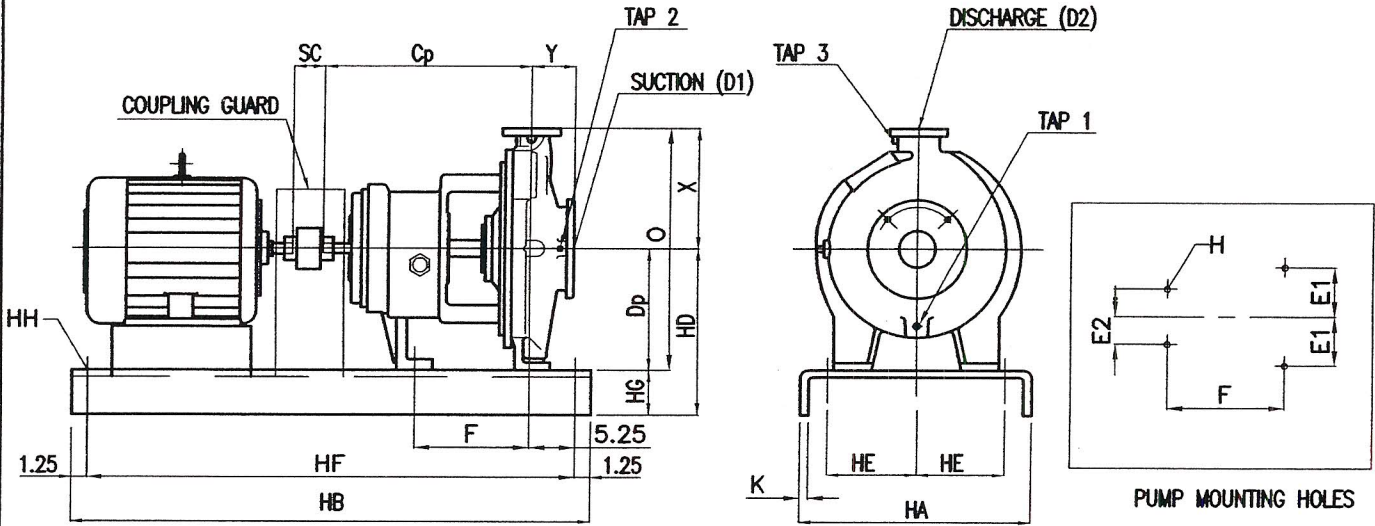




# DAP PUMP OUTLINE DWG.

CUSTOMER		JOB. NO	
PO. NO		PROJECT	
ITEM NO		SERVICE	
PUMP SIZE		DAP G-3 10 x 8 - 16H	
FLANGE TYPE		<input type="checkbox"/> FF <input type="checkbox"/> RF <input type="checkbox"/> #150 <input type="checkbox"/> #300	SUCTION    10    DISCHARGE    8
TAP 1	TAP 2	TAP 3	API-PLAN
POWER		BASE NO	TOTAL WEIGHT    Lbs



PUMP GRP	PUMP SIZE	X	O	Dp	Y	Cp	F	E1	E2	SC	SHAFT DIA.
3	8x6x13	16	30.5	14.5	6	27.875	18.75	8	4.5	5	2.375
	8x6x15	18	32.5								
	6x4x16	16	30.5								
	10x8x16H	19	33.5								

BASE NO.	MOTOR FRAME	HA MIN	HA MAX	HB	HE	HF	HD	HG	HH	H	K
368	254T/256T	22	26	68	9.5	65.5	19.25	4.75	1	7/8	3/4
	284T/286T										
380	324T/326T	22	26	80	9.5	77.5	19.25	4.75	1	7/8	3/4
	364T/365T										
	404T/405T										
398	444T/445T	22	26	98	9.5	95.5	19.25	4.75	1	7/8	3/4
	447T/449T										

\*These are not certified drawings, dimensions are not to be used for construction.

REVISED 7/28/03