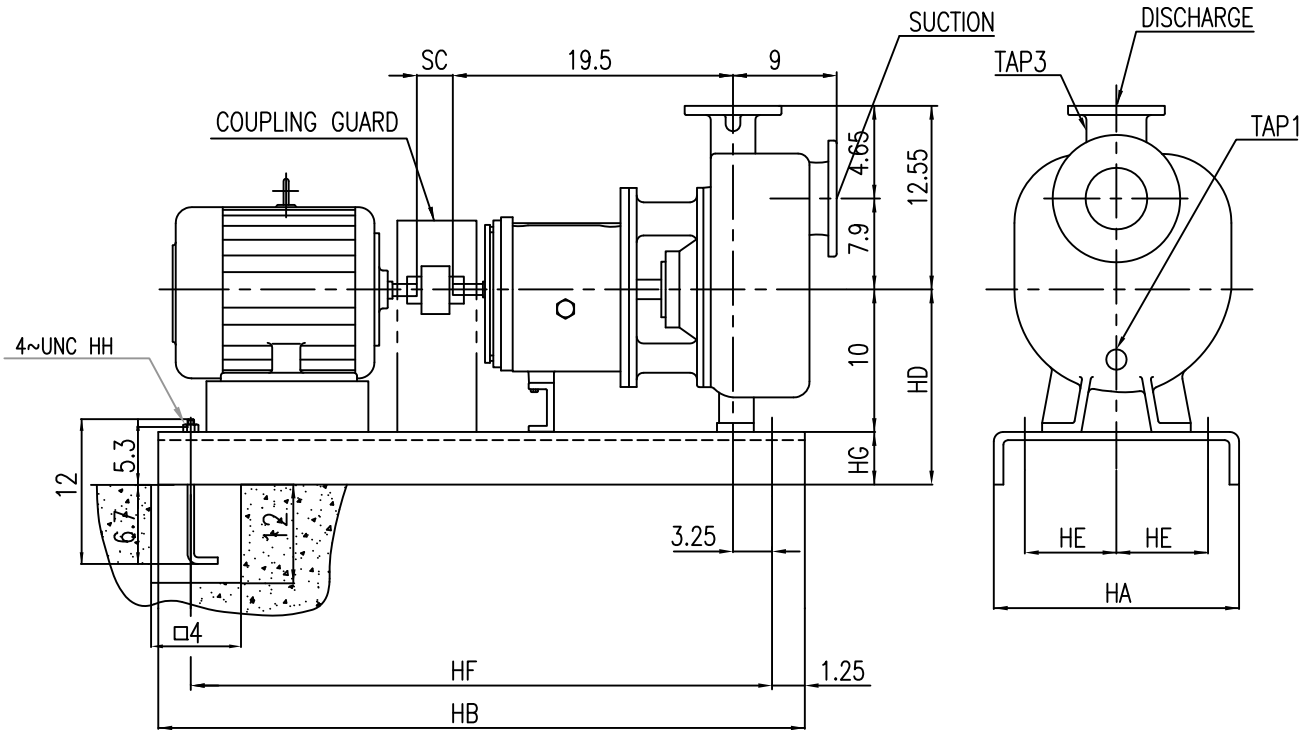




# DSP PUMP OUTLINE DWG.

CUSTOMER				JOB. NO					
PO. NO				PROJECT					
ITEM NO				SERVICE					
PUMP SIZE DSP G-2 3 x 1.5 - 13									
FLANGE TYPE		<input type="checkbox"/> FF	<input type="checkbox"/> RF	<input type="checkbox"/> #150	<input type="checkbox"/> #300	SUCTION	3	DISCHARGE	1.5
TAP 1		TAP 2		TAP 3		API-PLAN			
POWER				BASE NO		TOTAL WEIGHT		Lbs	



BASE NO.	MOTOR FRAME	HA	HB	HE	HF	HD	HG	HH	SC	REMARK
245	184T	15	45	4.5	42.5	12	3.75	5/8	3.5	
252	213T	18	52	6	49.5	13	4.75	5/8	3.5	
	215T									
258	254T	21	58	7.5	55.5	13	4.75	7/8	5.23	
	256T									
	284T									
	286T									
264	405TS	21	64	7.5	61.5	13	4.75	7/8	5.23	
280	405T	26	80	19	77.5					

\*Dimension can be change by construction