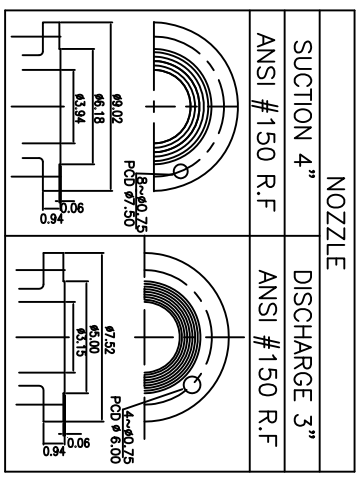
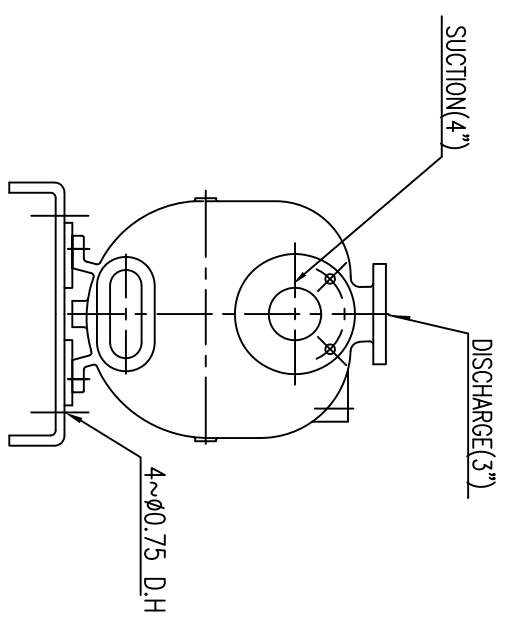
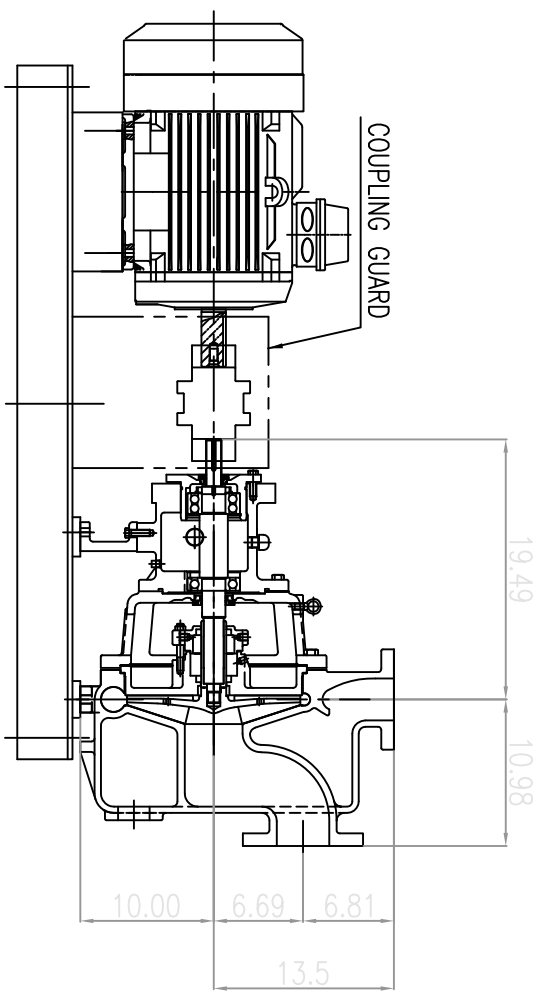


10W1314-DSP
DWG NO.

MODEL : DSP 4x3-13



SPECIFICATION

CAPACITY	-	GPM
HEAD	-	ft
WEIGHTS(lbs)		
PUMP	374	
TOTAL	374	

JEON	MIN	MIN	MIN	MIN	REV.
DWN	DSND	CHKD	APPD		0
SCALE N/S					
GROUP NO.			ITEM NO.		
REF. NO.					
OUTLINE DRAWING					
DWG. NO.					
DESCRIPTION					
SETT					
DSP-4313M01					



A NEW VISION FOR QUALITY PUMPS