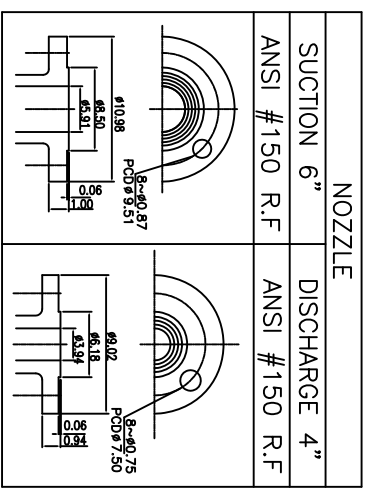
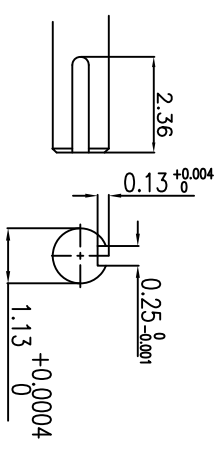
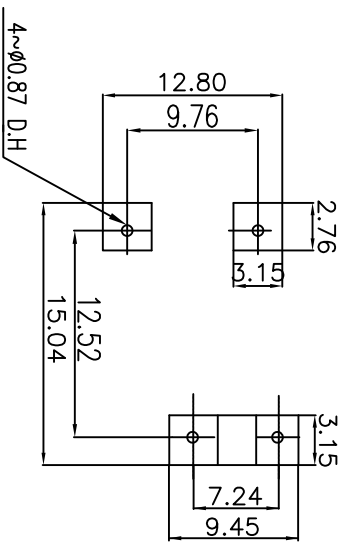
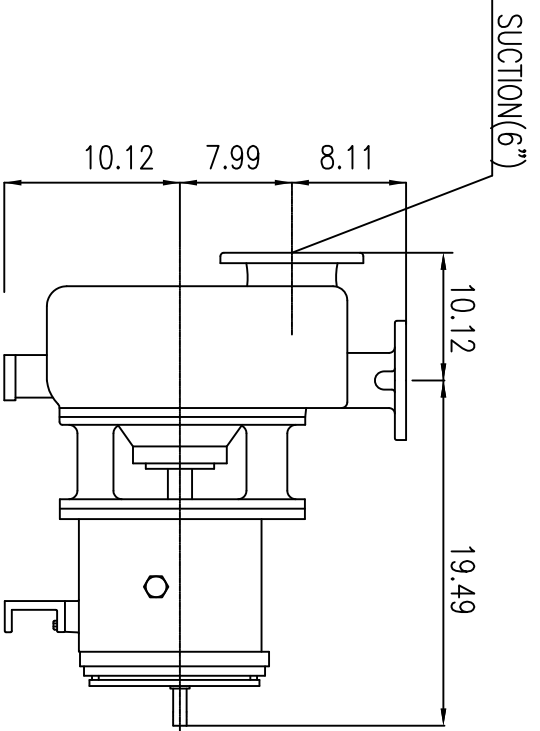
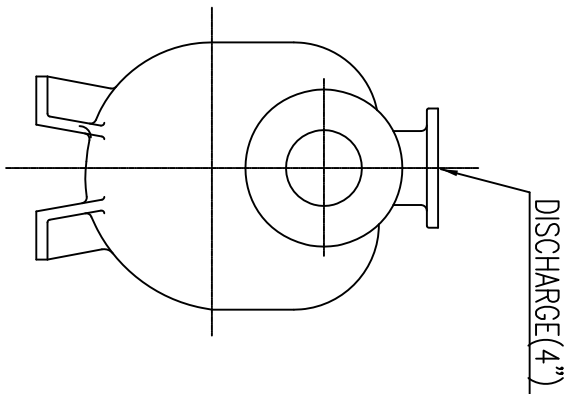


10M0179-DSD

MODEL : DSP 6x4-10



SPECIFICATION

CAPACITY	-	GPM
HEAD	-	ft
WEIGHTS(lbs)		
PUMP	370.4	
TOTAL	370.4	

NOZZLE LOADINGS

	Suction	Discharge
lbs Fx	319.7	149.9
lbs Fy	608.5	531.3
lbs Fz	628.3	293.2
ft-lbs Mx	1186.2	701.6
ft-lbs My	933.1	528.0
ft-lbs Mz	643.7	383.3

JEON	MIN	MIN	MIN	REV.
-	-	-	-	0
DWN	DSND	CHKD	APPD	
SCALE N/S				
GROUP NO.			ITEM NO.	
REF NO.			(- PUMP)	
PUMP OUTLINE DRAWING				
DESCRIPTION				
QTY				
DWG NO.				
DSP-6410M01				

TRUFLO A NEW VISION FOR QUALITY PUMPS