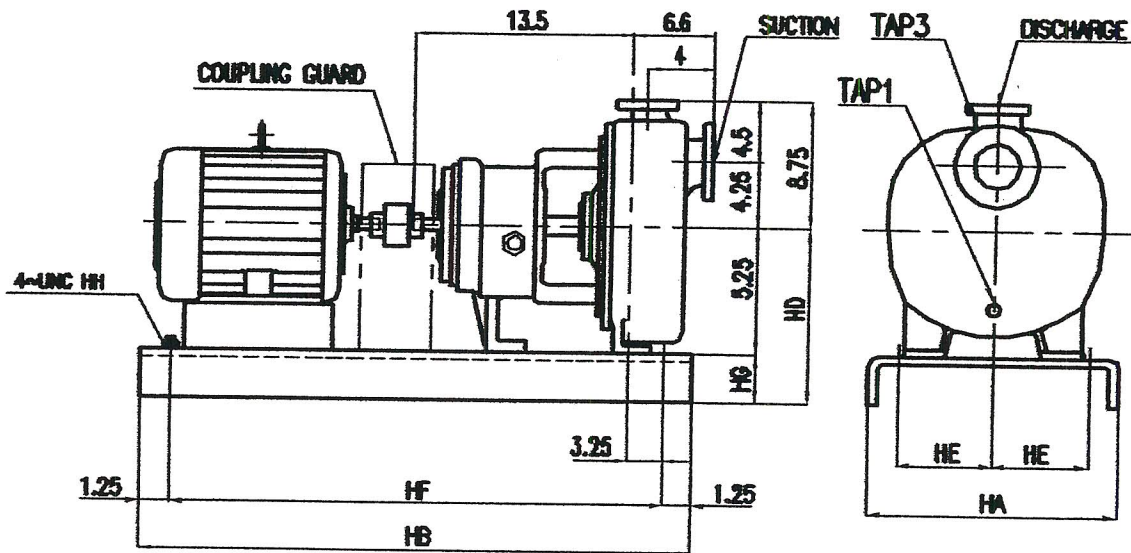




DSP PUMP OUTLINE DWG.

CUSTOMER		JOB. NO	
PO. NO		PROJECT	
ITEM NO		SERVICE	
PUMP SIZE DSP G-1 3 x 1.5- 8			
FLANGE TYPE <input type="checkbox"/> FF <input type="checkbox"/> RF <input type="checkbox"/> #150 <input type="checkbox"/> #300		SUCTION	3 DISCHARGE 1.5
TAP 1	TAP 2	TAP 3	API-PLAN
POWER		BASE NO	TOTAL WEIGHT Lbs



BASE NO.	MOTOR FRAME	HA	HB	HE	HF	HD	HG	HH	REMARK
139	56	12	39	4	36.5	9	3.75	5/8	
	145T								
	182T								
	184T								
148	213T	15	48	6	45.5	9.38	4.13	5/8	
	215T								
	254T					10.65	5.4		
	256TS								

*Dimensions can be changed by construction

REVISED 7/28/03