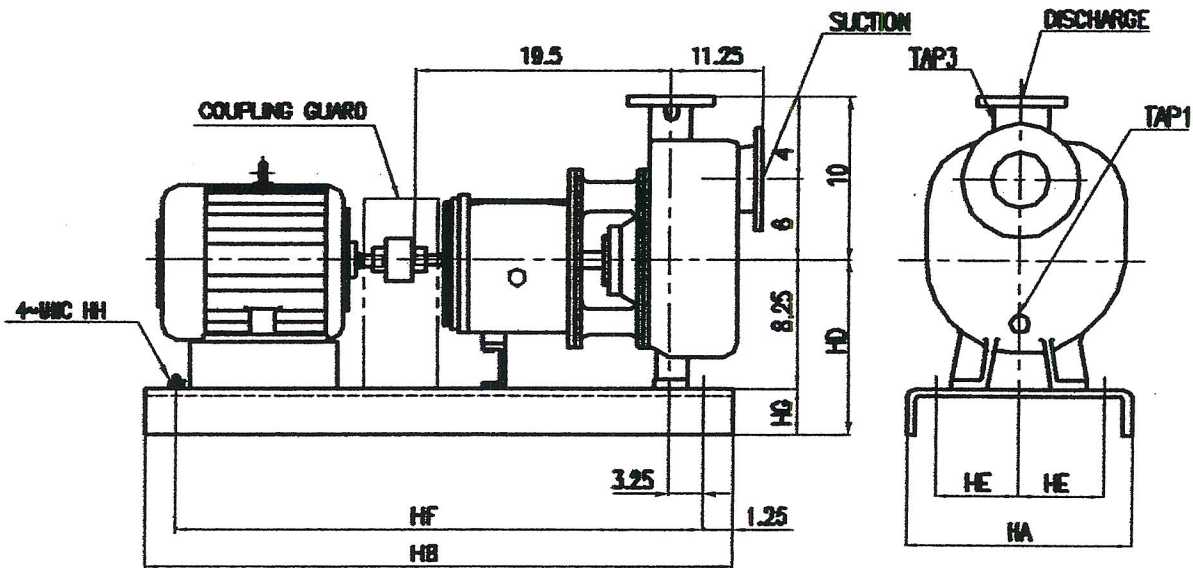




DSP PUMP OUTLINE DWG.

CUSTOMER		JOB. NO	
PO. NO		PROJECT	
ITEM NO		SERVICE	
PUMP SIZE DSP G-2 3 x 2 - 8			
FLANGE TYPE <input type="checkbox"/> FF <input type="checkbox"/> RF <input type="checkbox"/> #150 <input type="checkbox"/> #300		SUCTION	3 DISCHARGE 2
TAP 1	TAP 2	TAP 3	API-PLAN
POWER		BASE NO	TOTAL WEIGHT Lbs



BASE NO.	MOTOR FRAME	HA	HB	HE	HF	HD	HG	HH	REMARK
245	184T	15	45	4.5	42.5	12	3.75	5/8	
252	213T	18	52	6	49.5	13	4.75	5/8	
	215T								
258	254T	21	58	7.5	55.5	13	4.75	7/8	
	256T								
	284T								
	286T								
264	405TS	21	64	7.5	61.5	14	5.75	7/8	
280	405T	26	80	19	77.5				

*Dimensions can be changed by construction

REVISED 7/28/03