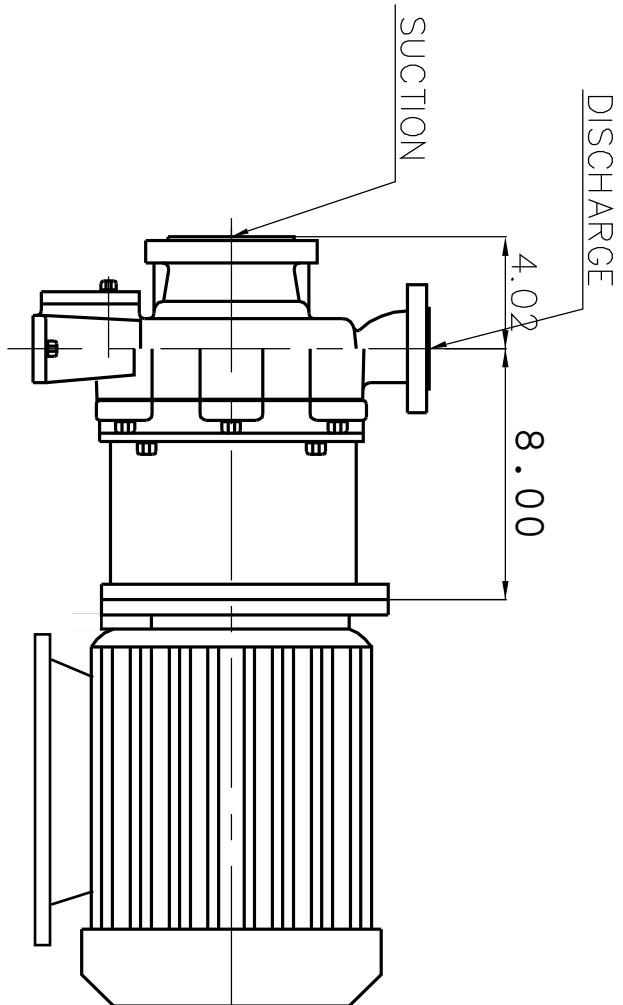
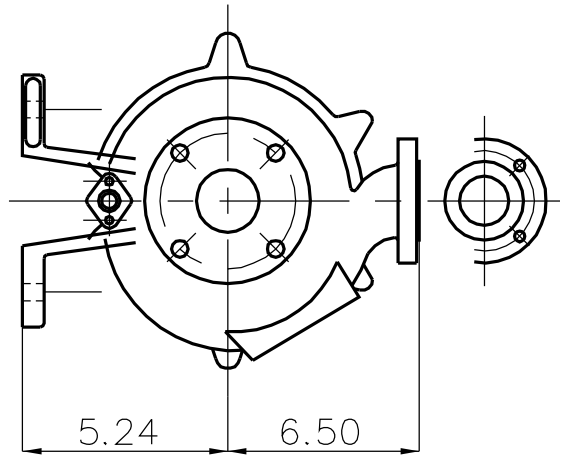


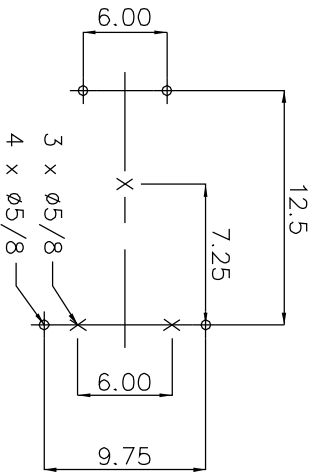
10M9151-1N1

DWG. NO.

MODEL : TNP M 1.5x1-6



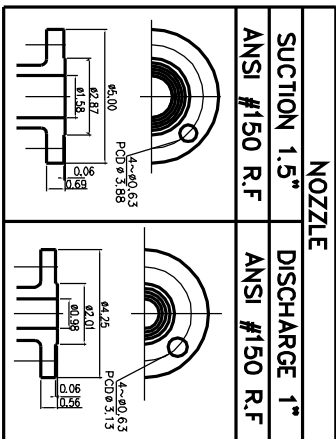
GROUP 1 - X
GROUP 2 - +



SPECIFICATION

CAPACITY	-	GPM
HEAD	-	ft
WEIGHTS(lbs)		
PUMP	147.4	
TOTAL	147.4	

JION	MIN	MIN	MIN	MIN	REV.
-	-	-	-	-	0
DWN	DSND	CHKD	APPD	DESCRIPTION	
SCALE N/S CUSTOMER					
GROUP NO.	ITEM NO.	DWG. NO.		SET	
REF. NO.	OUTLINE DRAWING	TNP-1516M01			



TRHD A NEW VISION FOR QUALITY PUMPS