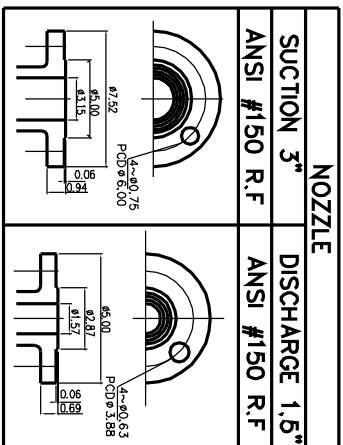
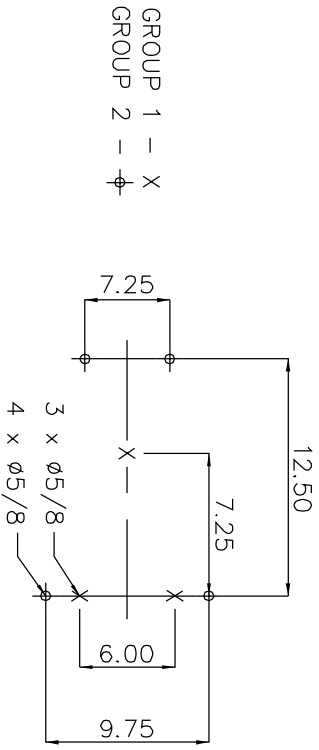
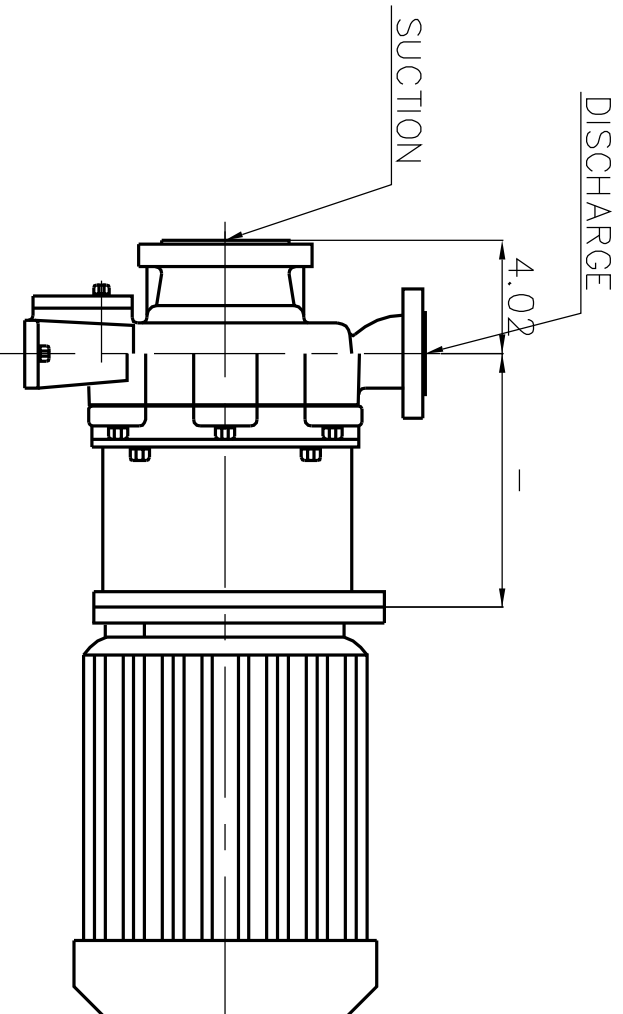
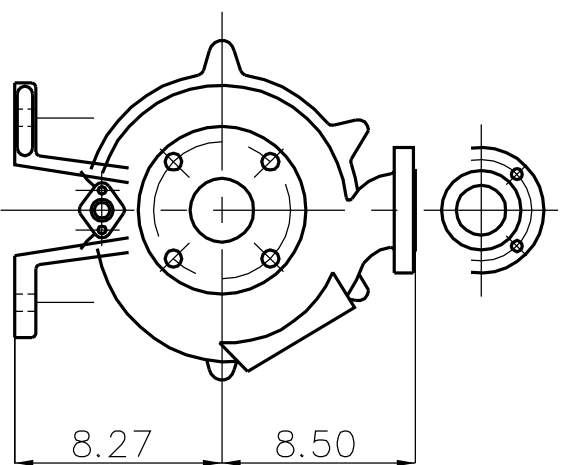


10M5158M01

DWG NO.

**MODEL : TNP M 3x1.5-8**



SPECIFICATION

CAPACITY	-	GPM
HEAD	-	ft
WEIGHTS(lbs)		
PUMP	178.2	
TOTAL	178.2	

JBON	MIN	MIN	MIN	MIN	DESCRIPTION	REV.
DWN	DSND	CHKD	APPD			0
SCALE N/S		CUSTOMER				
GROUP NO.	ITEM NO.	DWG NO.				
REF NO.	OUTLINE DRAWING					
					TNP-3158M01	

**TRIHIO** A NEW VISION FOR QUALITY PUMPS